

**Ancar**

DENTAL  
INTELLIGENCE  
*with heart*



**Sd-575**

---

**USER MANUAL**

July 2014, QS4 615 v.1





**Antoni Carles, S.A.**

Volta dels Garrofers, 41-42  
Pol. Ind. Els Garrofers  
08340-Vilassar de Mar  
(Barcelona-SPAIN)

T. (34) 93 754 07 97  
F. (34) 93 759 26 04  
calidad@ancar-online.com  
www.ancar-online.com



**EC Declaration of Conformity (Directive 93/42/EEC)**

Manufacturer's Name

**ANTONI CARLES, S.A.**

With medical device manufacturing and assembly license number 2509-PS granted by the Health Authorities of Spain

Name of device

Type or Model:

**Dental Unit**

Code GMDNS: **34991**

**Sd-575**

Device Class According to the intended use and the criteria of Annex IX of the Directive:

**Class IIa (rule 11).**

Scope of Application:

**All (including pieces and accessories)**

Power Supply:

**220-240 V ~ / 50-60 Hz**

Electrical Classification

**Type BF**

This Declaration is based on Certificates issued by DNV:

**# 78388-2010-CE-IBE-NA** according to **annex V, DIR 93/42/EEC,**

**No. 109037-2012-AQ-IBE-ENAC,** according to **ISO 9001:2008,** and

**No. 112630-2012-AQ-IBE-NA,** according to **ISO 13485:2003.**

Notified Body:

**0434 DNV (Det Norske Veritas) – Region Norge As.**

We, the undersigned, under our sole responsibility, hereby certify and declare that the medical devices specified above are in conformity with the essential requirements applicable to them, of **RD 1591/09**, transposition to the Spanish law of the directive **93/42/CEE** as amended by the directive **2007/47/EC**. We also declare that we comply with the design and construction requirements of the following standards:

- EN 1640:2009** Dentistry. Medical products for dentistry. Equipment
- EN ISO 7494-1:2011** Dental units. Part 1. General requirements and testing methods
- EN ISO 7494-2:2003** Dental units. Part 2. Air and water supply
- EN 60601-1:2006 + AC:2010** Medical electrical equipment. General requirements for safety.
- EN 60601-1-2:2007 + AC:2010** Medical electrical equipment. General requirements for safety. Electromagnetic Compatibility - Requirements and tests.
- EN ISO 14971:2012** Medical Devices. Application of Risk Management to Medical Devices.

Authorized Signatory

Stamp, Date

**Josep Álvarez**  
Quality & Regulatory Affairs Manager

**Antoni Carles Bosch**  
General Manager

**ANTONI CARLES, S.A.**  
Pol. Ind. "Els Garrofers"  
C/Volta dels Garrofers, 41-42.  
08340 VILASSAR DE MAR  
BARCELONA-SPAIN

**14 July 2014**



<b>TABLE OF CONTENTS</b>	<b>PAGE</b>
<b>1.- GENERALITIES</b>	<b>2</b>
<b>2.- GUARANTEE</b>	<b>2</b>
<b>3.- IDENTIFICATION</b>	<b>3</b>
<b>4.- PRECAUTIONS</b>	<b>3</b>
<b>5.- CLAUSES</b>	<b>4</b>
<b>6.- TECHNICAL FEATURES</b>	<b>5</b>
6.1.- Chair	5
6.2.- Dental Unit	5
<b>7.- DIMENSIONS AND TRANSPORTATION</b>	<b>6</b>
<b>8.- DENTAL UNIT DESCRIPTION</b>	<b>7</b>
8.1.- Circuit box	8
8.2.- Instrument control pedal (adjustable)	9
8.3.- Instrument tray	11
8.4.- Control panel	13
8.5.- Water Cabinet	15
8.6.- Cannula support	16
8.7.- Auxiliary keypad	16
8.8.- Headrest	18
8.9.- Optional armrest	18
8.10.- Lateral curtain	18
<b>9.- UNIT ERROR AUTOTEST. ERROR TESTING</b>	<b>18</b>
<b>10.- SAFETY MOVEMENTS</b>	<b>20</b>
<b>11.- CLEANING AND STERILISING</b>	<b>20</b>
<b>12.- TECHNICAL DATA</b>	<b>21</b>
<b>ANNEX 1. CLEANING &amp; DISINFECTING OF CATTANI GLASS, CANNULAS AND BASIN</b>	<b>22</b>
<b>ANNEX 2. SPITTOON BASIN CUT-OFF VALVE AND ASPIRATION UNIT (CATTANI)</b>	<b>23</b>
<b>ANNEX 3. VSA300: SUCTION SYSTEM (DÜRR DENTAL)</b>	<b>24</b>
<b>ANNEX 4. ASPIRATION SYSTEM TYP1 (METASYS)</b>	<b>25</b>
<b>ANNEX 5. ECO ASPIRATION SYSTEM (METASYS)</b>	<b>26</b>
<b>ANNEX 6. IGN - CALBENIUM DECONTAMINATION SYSTEM (AIREL)</b>	<b>27</b>
<b>ANNEX 7. SELF WATER SYSTEM KIT</b>	<b>28</b>
<b>ANNEX 8. COMBI-SEPARATOR CAS 1 (DÜRR DENTAL)</b>	<b>29</b>
<b>ANNEX 9. COMBI-SEPMATIC CS 1 (DÜRR DENTAL)</b>	<b>29</b>
<b>ANNEX 10. WATER DECONTAMINATION SYSTEM: WEK (METASYS)</b>	<b>30</b>
<b>ANNEX 11. HYGIENE SYSTEM H1 (METASYS)</b>	<b>31</b>
<b>ANNEX 12. SELECTIVE CANNULA SYSTEM S1 (METASYS)</b>	<b>32</b>
<b>ANNEX 13. MINILIGHT SYRINGE (LUZZANI)</b>	<b>33</b>
<b>ANNEX 14. CLEANING AND DISINFECTING OTHER PARTS OF THE UNIT</b>	<b>35</b>
<b>ANNEX 15. SAFETY NOTES</b>	<b>36</b>

## 1.- GENERALITIES

Thank you for purchasing the SD-575 dental unit.

This instruction manual contains information on the dental unit, including its configuration and maintenance.



This symbol means the unit is certified under Directive 93/42/EEC (modified in accordance with 2007/47/EC), by the DNV.



### Notes

This symbol means **CAUTION, PRECAUTION**



**Before starting-up the unit you must have read and fully understood the user manual.**

**Keep this manual in a safe place for future reference, for as long as you use the equipment.**

**Follow all safety standards.**

**It is the user's responsibility to keep the unit clean, disinfected and in perfect working order.**

This dental equipment is for the exclusive use of a professional, who should have the appropriate training and be a member of a dental association to practise as a dentist.

This equipment may only be moved by authorised technicians.

The unit must be installed in an environment with controlled conditions, including temperature (+10 °C to +40 °C), humidity (30-75 %) and atmospheric pressure (700 a 1060 hPa), free from dust and condensation and protected from direct sunlight.

The electrical circuit at the premises where the unit is to be installed must satisfy the provisions in standard IEC 601.1 regarding protection against electric shock for class I equipment.

**Antoni Carles, S.A.** reserves the right to make any improvements or modifications to the dental unit without prior warning.

The unit must be used in accordance with the use instructions.

Under Directive 93/42/EEC, the dental unit and orthodontic chair manufactured by **Antoni Carles, S.A.** are class IIa equipment. It is absolutely prohibited to install any class IIb or III dental instrument, e.g. surgical lasers, electronic scalpels, X-rays or electric cauterizers. Only class I or IIa equipment may be installed, in compliance with the provisions in the aforementioned Directive and standardised regulations EN60601-1, EN60601-1-2.

## 2.- GUARANTEE

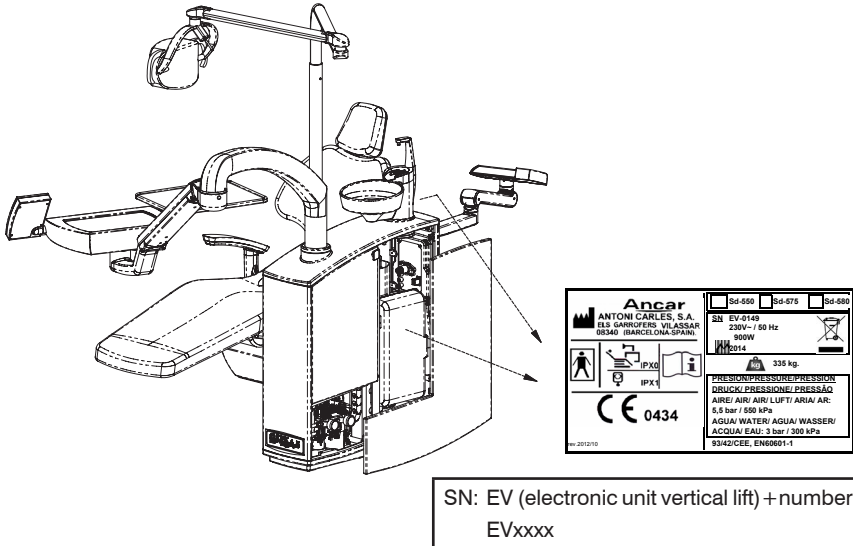
The device comes with a Certificate of Guarantee. If you do not receive this, ask your dealer directly. The Certificate of Guarantee must be completed and returned to the manufacturer (**Antoni Carles, S.A.**) **within 8 days** of delivery of the device.

The guarantee is only valid if the device has been used correctly and installed by an authorised technician.

Moreover, to comply with Health Equipment traceability in accordance with Directive 93/42/EEC (modified in accordance with 2007/47/EC), you must also return the installation form.

### 3.- IDENTIFICATION

The identification tag, containing technical information required for connection, is duplicated. You'll see from the back of the seat, and it also can be found on the electronic cards protection cover, to get access it is enough to open side door of the water unit. Also at the socket outlet of the circuit box) you will get technical data required for the auxiliary connection (Fig. 1).



### 4.- PRECAUTIONS

The unit should be installed in a bright place away from corridors or passageways, and should have adequate room to accommodate both the patient and the user.

Water unit set should be fixed to the floor to guarantee stability, except it is used a stabilization plate (made in steel plate).

Before moving the chair, the operator (Doctor, user) must ensure there is no-one (patient, guests, children) within equipment projection and movements area. Be aware of people head under chair, around the backrest area, and also pay attention around the instrument tray.

After using the unit, switch off all instruments as well as the unit itself, which should remain switched off at the end of each working day.

If the unit is to be out of use for a long period of time, disconnect it from the mains supply and close the main air and water inlet taps.

Make sure the general power switch (at the circuit box by the water unit, fig. 4, "A") is turned off if the equipment is to be left without staff supervision. This prevents the water pipes from having to sustain a constant pressure. The air and water inlets must not exceed a pressure of 10.3 Bar, nor should the pipes be exposed to temperatures exceeding 46°C, to avoid system faults and damage to property.

To prolong the working life of the lifting unit components, take care not to overload the chair.

It is advisable not to use mobile telephones in proximity of the working unit.

This equipment is not designed to work in operating theatres.

## ENVIRONMENTAL PROTECTION

All packaging materials are produced in respect for the environment and are fully recyclable: wooden pallets, cardboard, plastic bags and bubble-wrap. Collecting used materials helps collection and recycling and reduces waste material.

**Antoni Carles, S.A.** is obliged to satisfy the objectives set by Community Directives 2011/65/EC and 2012/19/EC.



This symbol is only applicable for member countries of the European Union.

In order to avoid potential negative consequences for the environment or human health, this equipment should be disposed of (i) in EU member countries – in accordance with the WEEE (Waste Electrical and Electronic Equipment) Directive, and (ii) for all other countries, in accordance with local provisions and recycling laws.

## EMC

The **Sd-575** dental unit conforms to the basic requirements of Directive 93/42/EEC concerning medical devices, and complies with the design and construction requirements contained in Standard EN60601-1-2 regarding the safety of Electromagnetic Compatibility and Electrical Medical Equipment, causing no electromagnetic disturbances and complying with immunity standards.

## ENVIRONMENTAL CONDITIONS

While it is in its packaging for transport and storage, the equipment can withstand being exposed for no longer than 15 weeks to environmental conditions that do not exceed:

- a) ambient temperature margin from  $-20^{\circ}\text{C}$  to  $+50^{\circ}\text{C}$ .
- b) a relative humidity margin of 10 % to 100 %, including condensation.
- c) an atmospheric pressure margin of 500 hPa to 1060 hPa (from 500 mbar to 1060 mbar).

-Functioning conditions:

- d) ambient temperature margin from  $+10^{\circ}\text{C}$  to  $+40^{\circ}\text{C}$ .
- e) a relative humidity margin of 30 % to 75 %, including condensation.
- f) an atmospheric pressure margin of 700 hPa to 1060 hPa (from 700 mbar to 1060 mbar).

## 5.- CLAUSES

**Antoni Carles, S.A.** will not assume responsibility for damages caused by fire, natural disasters, third party activities or other accidents caused by operator negligence or misuse, or from using the equipment under unusual conditions.

**Antoni Carles, S.A.** will not assume responsibility for damages deriving from the improper use of equipment, causing a loss of business or loss of earnings.

**Antoni Carles, S.A.** will not assume responsibility for results of diagnoses made by a doctor using this equipment.



## 6.- TECHNICAL FEATURES

### 6.1.- Chair

Ergonomic design for the patient.

Chair movements with silent, automatic and highly reliable movement.

Microprocessor-controlled movements:

- Automatic chair return-to-zero movement (configurable height).
- Automatic chair-to-spittoon movement (configurable height).
- 3 programmable chair settings (configurable height and backrest).

High quality, hygienic anatomic upholstery

Safe movement of the backrest and seat, chair is raised upwards until jamming is released.

Height-adjustable, folding headrest.

Includes Trendelenburg position.

### 6.2.- Dental Unit

Circuit box integrated into hydric group set, separated from chair.

Assistant auxiliary tray assembled behind hydric group allowing access towards patient.

Instrument tray with capacity for 5 instruments, Touch Expert control panel. Includes 6F syringe plus 4 optional instruments upon request: electric micromotor with/without light, with possibility of MX endodontic micro-motor (by Bien Air), ultrasounds with/without light. Arm rotation angle of 290° gets more open space and allows a better access towards patient.

Pantographic support arm fitted with pneumatic brake.

Turbine/micromotor instruments can be easily interchanged between any position (except 6F syringe), without additional attachments and by the user, with no need for technical assistance.

Hanging hoses safety system; only one active instrument permitted at a time.

Programming instruments in technical and user mode using a Touch Expert control panel. Please refer to the manual for this piece of equipment for user information on how to programme the electric micro-motor (max. speed in rpm, normal or reducer working mode, light level) with reserve turning function, ultrasounds (endo, scaling and perio working modes; light level and power) and turbine (light level).

Graphic display of the ultrasound and turbine power settings.

Micromotor work rpm display. Electric micromotor reverse turn display (and min. speed setting in preset mode from 100 rpm, consult an authorized technician). Working mode in low speed range is approximately 100 to 4,000 rpm.

Lamp activation in light-fitted instruments upon selecting the instrument (except ultrasound), without using the pedal.

Unit "Autotest" function activated on startup.

Water unit enabled to be fixed or supported on stabilization plate. Spittoon with automatic cup filler and basin washer system, with the possibility of joint or independent selection. Can be optionally fitted with different suction systems and amalgam systems upon request.

Cannula support with housing for medium and large capacity surgical suction instruments. Equipped with two optional instruments, which can be selected from: Polymer LED, 3F syringe or intraoral camera.

Cannula support safety already connected in serial with control regulation pedal and chair safety features.

Movement safety features in keypads and control pedal.

Digital timer for basin (up to 3 minutes) and cup taps (up to 20 seconds). Possibility of joint or independent working selection of cup filler and basin.

Control panel on instrument tray and cannula support. Dental operator light fitted with cooler fan to protect against high temperatures.

Optional automatic lamp on/off with respect to the spittoon return position (consult technician).  
 The unit conforms to the basic requirements applied by Directive 93/42/EEC on medical devices, complies with the design and construction requirements contained in Standards EN60601-1 and EN60601-1-2 regarding the safety of Electromagnetic Compatibility and Electrical Medical Equipment, and conforms to ISO standard 14971, a Risk Management analysis.

## 7.- DIMENSIONS AND TRANSPORTATION

The dental unit is suitably packaged and protected.

The package includes the dental unit secured to a pallet, with a further two cases containing the water unit and colibri forceps system (Fig. 2).

It is essential that none of the boxes are knocked when in transit, and under no circumstances must they fall to the floor. Great care should be taken when moving the equipment; we recommend it be transported by technicians authorised by **Antoni Carles, S.A.**

Before assembling the unit, a technician, along with yourself and the authorised member of staff on-site should determine its best location with regard to comfort and ergonomics.

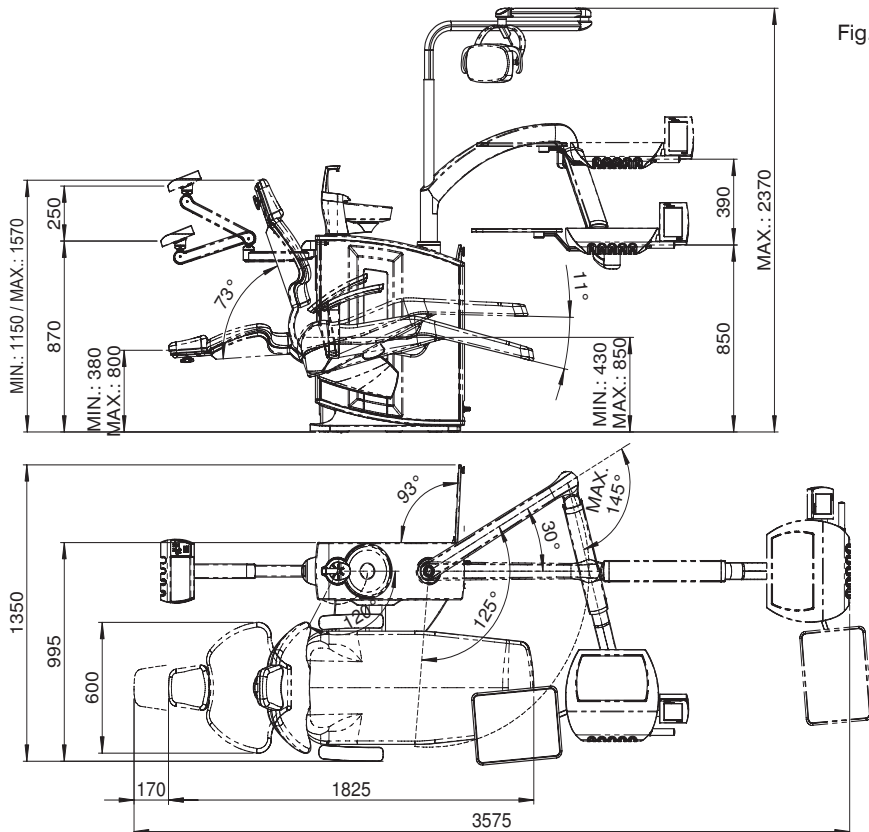


Fig. 2

## 8.- DENTAL UNIT COMPOSITION

(A) Fig. 4	Circuit Box	Page 8
(J) Fig. 5-6	Pedal	Page 9
(D) Fig. 7	Instrument tray	Page 11
(C) Fig. 8-9	Control Panel (Touch)	Page 13
(B, E) Fig. 10-11	Water Cabinet	Page 15
(F) Fig. 12-15	Cannula support and Auxiliary Tray	Page 16
(G, H) Fig. 16-17	Chair: Headrest and Armrest	Page 18
(K) Fig. 18	Displacement Curtain	Page 18

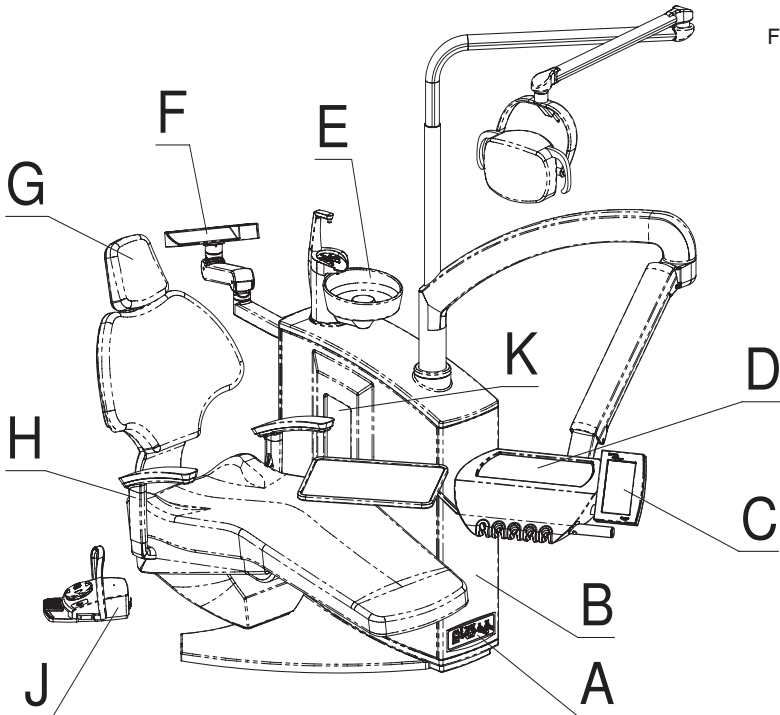



Fig. 3

 Should you have to move a pre-assembled unit, fit the chair first with the seat at its lowest position and the back raised, making sure instrument tray is fully retracted over the chair at all times, keeping the unit as solid as possible. Once in position, remember to secure water unit to the floor or over a stabilization platform.

## 8.1.- Circuit box

The circuit box contains all points for connecting the dental unit to the clinic's power supply, as well as controls for adjusting the air and water supply. Regulator directional movement conforms to Standard UNE 20128.

As indicated in the diagram about composition of chair base, the front part contains: (Fig. 4)

- A. General power switch. Up ("I"), on; Down ("O"), off. Pilot light.
- B. General mains fuse, placed in phase.  
It is recommended that fuses should be replaced by an authorised technician.
- C. 230V / Max 50W auxiliary mains outlet.
- D. Regulated and filtered air supply.
- E. Regulated and filtered water supply.
- F. T6,3A / L / 250 V, delayed, 5x20 mm



**Note:** when activating the general power switch, the connection panel will perform a function test producing an audible beeping sound. If you do not hear this sound, switch off the unit and contact your technical service provider.

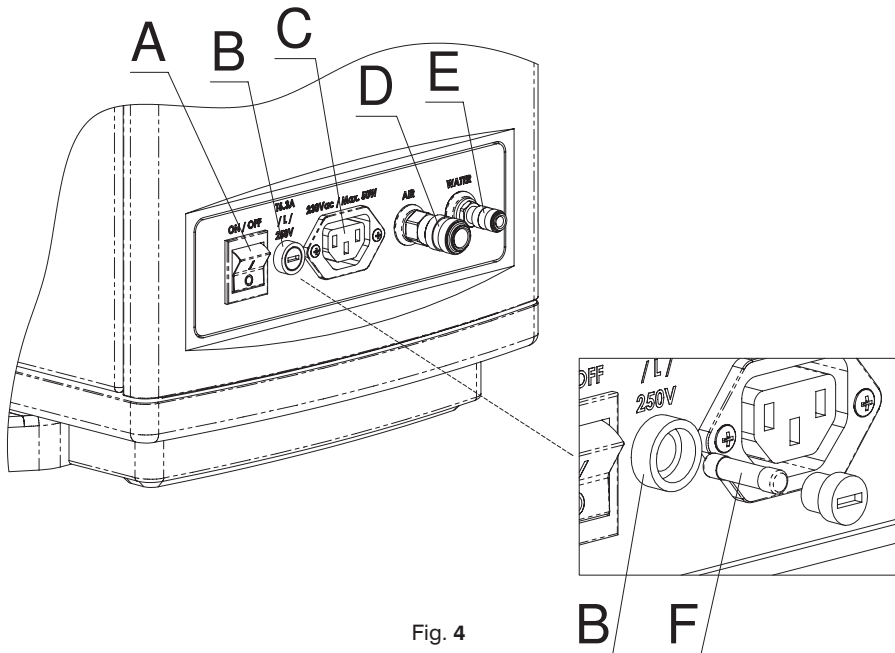


Fig. 4



**Note:** turning on the main switch ("A"), starts the "Autotest..." function, which last around 3s., and is shown on the display. While this is running, the display will light up; when it finishes, the display light turns off and the unit is set to work mode. If an error message appears, see the section on: "Unit error autotest. Errors"

## 8.2.- Instrument control pedal (adjustable)

It proportionally regulates the optional instruments on the instrument tray: micromotor, turbine and ultrasound.

Regulation of the electric micro-motor's turning speed and power of the turbine; operation mode selection (only water, or air with water using the lever-operated spray function), short burst function or "chip blower".

Direction change function for electric micromotor only. Independently defined for each micromotor (the instrument tray carries up to 3). Once the micro-motor has been selected, any touch to the movement functions (E, F or G) reverses it. By program, until lever is not moved, chair movements can be still enabled.

Does not control cannula support instruments; supports only those on the instrument tray. Ultrasound, accordingly programming made, pedal will act as "on/off" activation, or adjustable regulation.



**Optional instrument hygiene: turbines and micromotors, expelling every drop of water using an automatic air blower, thanks to chip valve is delayed when releasing the control pedal.**

**Safe movement of all optional instrument tray items: by adjusting the control lever the chair is locked in place, or it can be secured in any position.**

### PEDAL FUNCTIONS (Fig. 5)

- A. Push button for selection of air + water combination at instrument.  
Starting working point for instrument is without water.  
First touch will activate spray: air combined with water. Next one, only water.  
Selection is maintained until the instrument is hung up at tray position.
- B. Chip-blower control button. Short burst air blower.
- C. Lever for the start-up and acceleration of a pre-selected instrument from the instrument tray. Increasing proportionality from left to right. It should be pressed simultaneously when moved.
- D. Descend chair manual movement.  
A single press activates the automatic return-to-zero movement.
- E. Raise chair manual movement.
- F. Backrest recline manual movement.
- G. Backrest return manual movement.

Any touch to the movement functions (E, F or G) reverses micromotor turning (once instrument selected and no movement activated). By program you could decide to maintain movement feature.

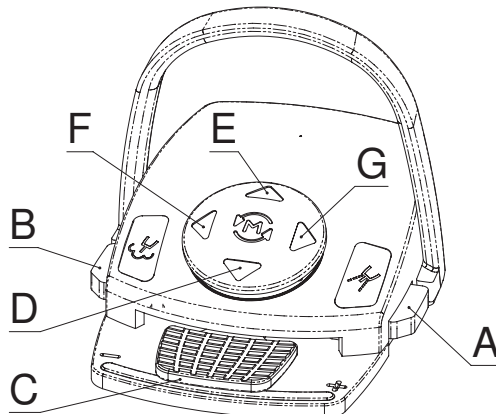


Fig. 5

**Safety:**

**To block any button-activated memory, press the control pedal.**

**When activating the control pedal, all chair movements are blocked.**

**This pedal does not allow any automatic memory to be saved nor does it accept it, so preventing unexpected movements, except for return-to-zero.**

**BATTERY RECHARGE OF WIRELESS PEDAL**

On display at tactile keyboard (Touch) there are three icons that inform user about level of signal coverage, battery charge status, and use of “bind cable” (C) (by a plug icon).

Unit will check battery level, when it runs down a remind message will appear on screen just after autotest: “you must connect the pedal to recharge the battery”.

The recommended usage is to reload upon screen request, battery icon will be colored in red (it will also appear a reminding message on screen after switch on), nevertheless it is also useful to incorporate a routine of periodic refill, i.e. every 8 to 10 weeks.

While battery is being recharged, full functionality of equipment is assured, you can work as usual.

Reload of battery may be done at any time dental unit is switch on, just plug-in “bind cable” (C) one end at pedal (A1), other end at dental unit (A2). Two hours will ensure complete refill is done. Plug icon will appear on screen to confirm recharge is being performed. you will swap to wireless mode just by unplug “bind cable”. It is not requested to switch off. Remind to put again taps at both sides, pedal (B1) and unit (B2) to maintain clean access to USB type connector.

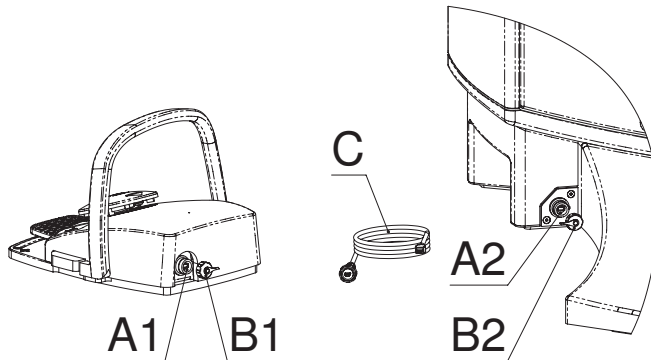


Fig. 6



**Should the unit be switch off, make sure any part of pedal is not pressed, lateral push buttons, lever or movements joystick. Otherwise electronic card would remain active and battery may discharge.**

**NOTE**

Cordless pedal battery has no relationship at all with the one in charge of storage of date and time parameters internally at the Touch keyboard.

### 8.3.- Instrument tray

The instrument tray (Fig. 7), ergonomically designed to facilitate the work of the user, has a capacity for 5 instruments.

Optional instruments, 4 in total, can be set to interchangeable work positions (except for ultrasounds and the MX micro-motor which do not allow a swap). Main features:

- It has a touch control interface panel: Touch Expert. Consult the user manual for further details about its features and how to access the different information menus for the various configuration and adjustment functions.
- The Touch Expert panel provides access to the auxiliary instruments and controls, manual movements and seat memory, automatic position saving function, as well as how to configure other characteristics (identifying the centre, doctor, working language, statistics about the use of the equipment).
- The touch screen provides access to instrument configuration functions, making it possible to personalise the values for each user, with a capacity for up to four doctors, such as electric micro-motor maximum turning speed, light intensity, counter-angle value, ultrasound working modes (depending on the model) and regulation of ultrasound intensity. Two types of programming have been defined: technical and user mode. The value of these variables is displayed on screen.
- The configuration screens provide access to the timer functions for the water unit: glass and cup of water.
- The auxiliary functions can also be activated via the Touch Expert control: switching on the operating lamp and auxiliary outlet.
- Automatic detection and graphic display of errors.
- Display showing instrument water flow, measured through regulators installed beneath the instrument tray.
- Interchangeable electric micromotor with 3 work positions (except for MX models).
- Pantographic arm with pneumatic brake for comfortable, effortless front positioning (handle side).
- Auxiliary instrument tray installation.
- Thanks to the smooth, rounded, non-porous shape of the instrument tray, it is easily accessible for cleaning and disinfecting.
- Arm levelling (authorised technician only)
- Arm brake adjustment (authorised technician only)
- Lamp effect in optional light-fitted instruments activated without using the pedal (except ultrasound).

### OPTIONAL INSTRUMENTS

6F stainless steel syringe, always located to the left of all other instruments is fitted as standard.

It is fitted with integrated thermal overload protection.

The rest are optional instruments.

- Electrical Micromotor
- MX micromotor
- Turbine
- Ultrasound
- Polymerization Lamp

**TOP OF TRAY:**

The instrument tray has a capacity for 5 instruments.

Optional instruments, 4 in total, can be set to interchangeable work positions (except for ultrasounds and MX micro-motor which do not allow a swap)

- A. Auxiliary instrument tray.
- B. Control tactile panel.
- C. Movement handle of the tray instruments.
- D. Pneumatic brake release button for easy movement of the tray.
- E. Top of tray enabled as work surface. It is a supplement to auxiliary instrument tray (A). Protection mat supplied to both surfaces, which is easily removable for autoclave sterilisation.
- P. instrument positions (installed upon request: **1, 2, 3, 4**).  
Positions "1", "2", "3" are exchangeable for electric micromotor (except for MX models) and turbine.
- P4 Position (4), ultrasound as default setting. It can also be placed a turbine.
- P5 Position (5), 6F syringe as default setting.

**LOWER PART OF TRAY:**

R1, R2, R3, R4: Water controllers are located alongside each optional instrument (installed upon request).

K. Instrument lubrication oil return tank. Check (remove by turning anticlockwise) and replace the cotton at least once per month.



**Should the turbine or micromotor spray function not work, or if there is no water in the ultrasound, check that these regulators (E) are fully opened by turning them anticlockwise.**

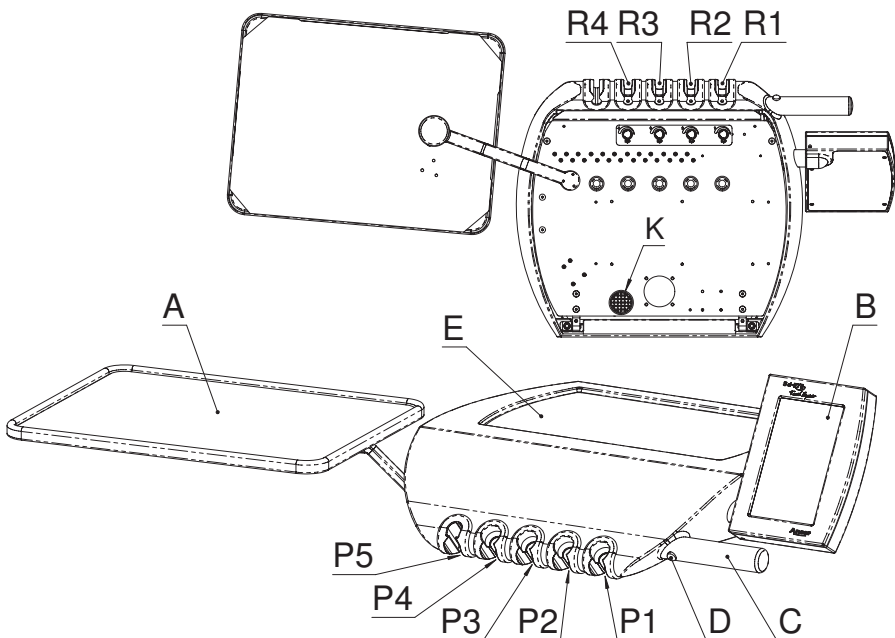


Fig. 7



## 8.4.- Control Panel

### MAIN CHARACTERISTICS:

Consult the user manual provided for the Touch Expert Content control element. Contents:

#### *Interface interpretation guide*

##### *Main screen*

General fields: Names of the doctor and centre, date and time.

Up to 4 different users can be selected, each of which will have their personalised adjustments and work statistics associated.

Seat position controls

Auxiliary controls

##### *Micro-motor screen*

Counter-angle, turning direction, cancelling the progressive pedal and ensuring that the micromotor always turns at maximum speed, activation of instrument irrigation in water or spray mode.

Speed controls: Select the working mode (reduction or normal), define the maximum working speed, vary the turning speed adjustment while working with the drill.

Switch on/off the lamp built into the instrument, adjust its lighting.

##### *MX / MCX / MX2 micro-motor screen*

Working mode programming (Endo or Operative)

Adjusting counter-angle value, turning direction, set speed (cancelling the pedal), activating irrigation in water or spray mode.

Speed controls: Select the working mode (reduction or normal), define the maximum working speed, vary the turning speed adjustment while working with the drill.

Par controls

Control the lamp built into the instrument (on/off, adjust the lighting).

##### *Turbine screen*

Define set speed working mode (cancelling the pedal).

Activate instrument irrigation in water or spray mode.

Turbine turning speed display.

Control the lamp built into the instrument (on/off, adjust the lighting).

##### *Ultrasound screen*

Adjustment of the working mode in which it will be used (perio, end and scaler).

Control of the power of the instrument.

Control the lamp built into the instrument (on/off, adjust the lighting).

##### *Dental equipment general configuration screen*

Definition of the dental centre identifier, changes to date and time.

Entering the names of the user doctor and their activation.

Change working language.

##### *Statistics screen*

Access for all doctor users to equipment usage statistics.

Zeroing partial information counters.

Technical mode provides access to the technical configuration screens, advanced adjustment of the instruments and to the advanced configuration parameters.



### CHAIR MOVEMENT FUNCTIONS

- Safety for movements involved in activating instruments using the adjustment pedal.
- Functions for activating movements parallel to the assistant keyboard (auxiliary) and adjustment pedal (there are no automatic movements on this, except for zeroing).
- Consult page 15 of the Touch Expert Element Manual for details about position controls.

- A. Start position button.
- B. Memory buttons.
- C. Return-to-spittoon button.

On first pressing, seat and backrest move together to the spittoon.

On second pressing, seat and backrest returns to their original position.

- D. Movement buttons.

- Program a seat position and save it in the memory.

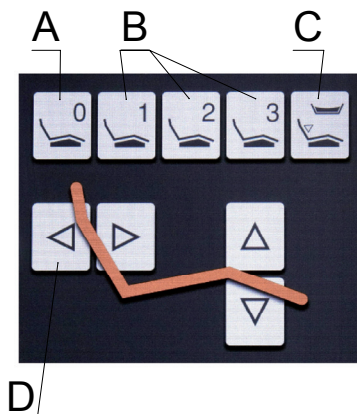


Fig. 8

**NOTE:** The chair heights for return to zero (A) and return to spittoon (C) positions are programmable. You do this in the same way as for the other three free positions: move the chair using the movement buttons and then keep the memory button pressed down for 2 seconds until a confirmation window appears. Press OK..

### AUXILIARY FUNCTIONS

- Consult page 16 of the Touch Expert Manual for details about the auxiliary controls

- A. Glass button
- B. Cup button
- C. Lamp button
- D. Auxiliary button
- E. Adjustment menus button

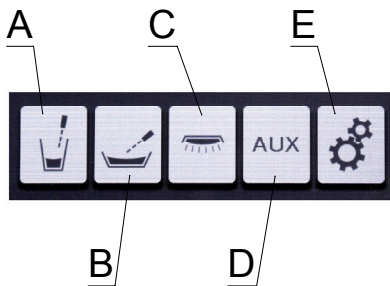


Fig. 9

### 8.5.- Water Cabinet

As shown in the figure, hydric group is fixed to floor and gives support for the surgical suction group and auxiliary tray, for the column arm and dental light, and for the main instruments tray. Upon request, the water unit can be supplied with Cattani (gravity-drained or continuous) suction systems, a Metasys amalgam separator - models Eco or Tipo (with 76% or 98% inclination) and suction and separation systems by Dürr, models VS300, CS1, CSA1. See appendices to this manual for specific instructions for each manufacturer.

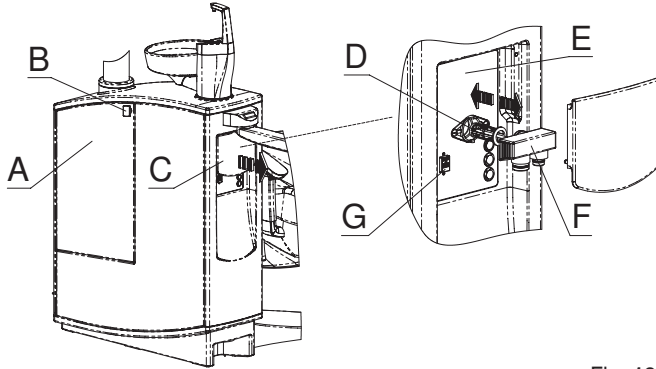


Fig. 10

Assistant door (A), enables access to perform maintenance to suction system elements, for instance to the disinfectant bags or to make cleaning of filter and diposits. On the side (C) you'll find control pannel of those items.

The side piece (C) gives place to the surgical air suction (F), with incorporated filter (D) refillable, which allows the use of foamless tablets. The suction of a glass of clean water is recommended after each use, cleaning the filter at the end of each day. Always clean using manufacturer-recommended products.

It is available an USB connection (G) in order to enable communication within devices.

Over the upper part there is the porcelain spittoon. Arm (A) may revolve 120° towards patient, to avoid a collision with the chair there is a security associated to motor movements which is activated from only a turn of 5°.

Move the spittoon piece (B) always by means of the arm (A). If you have to remove, proceed by parts (1.1) to disassemble of pieces plug (D) and filter of wastepipe (C), afterwards (1.2) turn 180° spittoon piece and (1.3) lift it up.

Pay attention not to contact tap spittoon (F). The cup tap (E) can be removed separately from basin. Lift, 2.1 tap (E) and then 2.2 cup support (G).

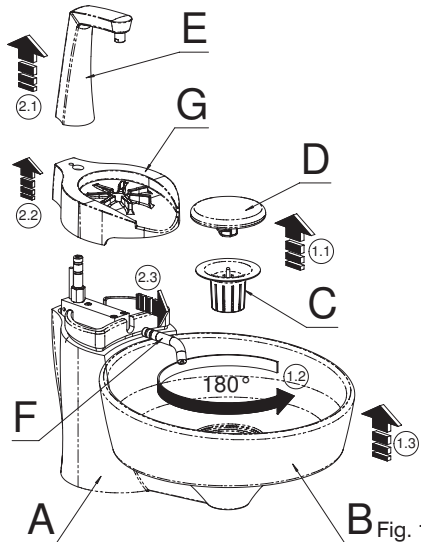


Fig. 11

## 8.6.- Cannula support (surgical suction, instruments, auxiliary keypad)

The tube support is mounted on an arm with a large capacity of movement to find the desired position. Fixed vertical positions explained later.

The surgical suction motor is activated by lifting any of the cannulas. Cannulas (**A**) can be sterilised, and are autoclave-safe; also the cannula-holder (**B**), with the proviso and precaution for the internal rubber. If not fitted with a continuous suction system, the separator system should be left for a short emptying period.

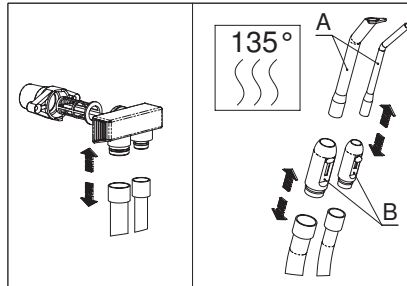


Fig. 12

### SURGICAL SUCTION

Depending on the type of amalgam separator installed (Cattani, Metasys, Dürr), all manufacturers recommend their own products and methods for disinfecting cannulas, attached to this manual. The cannula and cannula-holder sterilisation process is the same for all systems.

Both cannula holders and tubes are safe for autoclave sterilisation. It is recommended to use foamless disinfecting tablets, which can be left to work overnight. Furthermore, the outer tubes and tongues should be lubricated every 15 days with Lubri-Jet products, drying off any excess water.

### 3F SYRINGE (Optional)

The second instrument on the cannula support is the 3F syringe, with 3 functions: air, water and spray. This instrument works independently from the control pedal. See appendix.

## 8.7.- Auxiliary tray

The cannula support has an auxiliary keypad (**E**), medium and large capacity surgical suction (**A** and **B**) and, as optional instruments, a 3F syringe (always placed at **D**), and Polymerized Lamp or Intraoral Camera (position **C**).

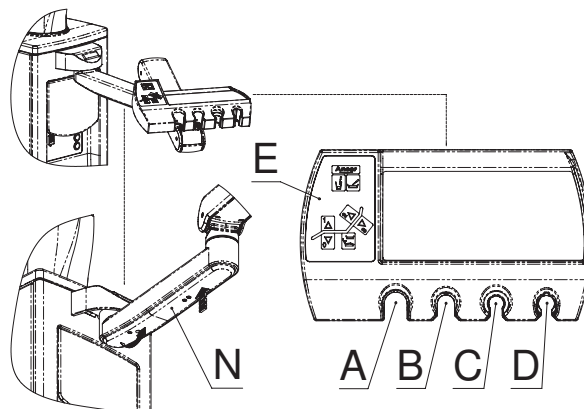


Fig. 13

## SECURITIES

Under arm support there is one micro-switch with a plate underneath (**N**), connected in serial mode with the rest of securities. Cannula security suspends all chair movements (seat and backrest) making a maneuver in the opposite direction some centimeters till complete release in the event of any pressure against the arm, or knocking against an obstacle in both directions, during manual or automatic maneuver, either descend or lifting one.

This security is particularly useful when it may happened collisions against furniture or stools without noticing.

## HEIGHT ADJUSTMENT OF TRAY

There are three fixed vertical positions for auxiliary tray. You may swap from P0 to P1, or from P1 to P2 just ascending by holding with your hand.

From upper position, P2, you could descend with just a gentle up movement (P3), and it will go down to P0.

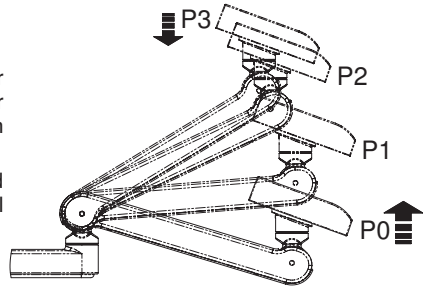


Fig. 14

## AUXILIARY KEYPAD (E)

At the cannula support is located the auxiliary keypad (or assistant's keypad) (Fig. 13)

**F.** Cup tap and spittoon tap. Timed, 1s - 20s.

It is possible to set up spittoon and cup tap to work together or separately.

**G.** Spittoon tap. Timed, 10s-180s. Can be turned off pressing the same button.

**H.** Spittoon return position. Pressing this once, backrest and seat moves to the spittoon position. Pressing twice, both return to their original position.

**J.** Pressed continuously: Raise chair. Manual chair return.

Pressed once: Automatic movement -> Memory position 1.

**K.** Pressed continuously: Manually lower backrest.

Pressed once: Automatic movement -> Memory position 3.

**L.** Pressed continuously: Lower chair manually.

Pressed once: Automatic movement -> Reset.

**M.** Pressed continuously: Manually raise backrest.

Pressed once: Automatic movement -> Memory position 2.

**Indicators:** All functions have an associated message in the function activation display.

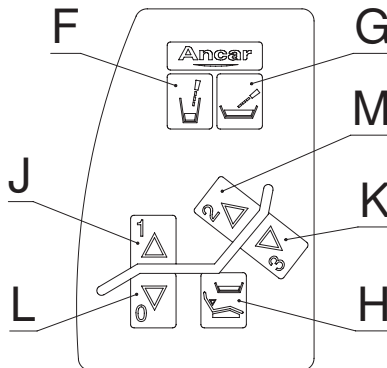


Fig. 15

## 8.8.- Headrest

Thanks to its articulated movement, this head support allows the patient's head to be positioned easily and ideally, according to the treatment required. It can be easily adjusted lengthways, as shown in Fig. 16.

### OPERATION

- The lengthways adjustment is easily connected. The piece is gripped firmly with the position held internally.
- Turn piece "A" to achieve the desired inclination. Once the headrest is set in the optimal position, lock the mechanism by turning lever "A" in a clockwise direction.

The head support upholstery can be replaced simply by removing it from the base, allowing comfortable maintenance.

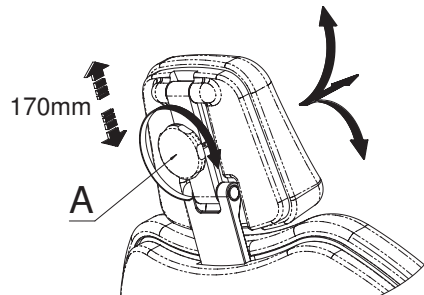


Fig. 16

## 8.9.- Optional armrest

To rotate the optional armrest (A), it must be pulled upwards (kept in its housing) until the rotation mechanism is released, allowing it to be turned until reaching the track limit where it stops. To return the armrest to its initial position, simply lift it and turn it inside until it locks automatically (Fig. 17).

Standard armrest (B), is fixed.

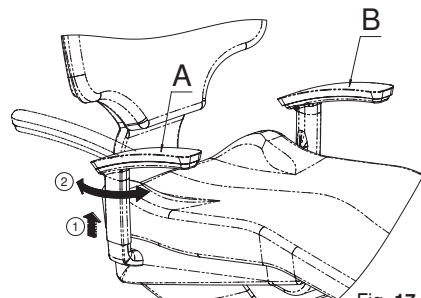


Fig. 17

## 8.10.- Lateral curtain

Chair has a side curtain (B) that moves internally while chair performs vertical movements.

Left armrest (A) enables arm remain at any moment in a higher position.

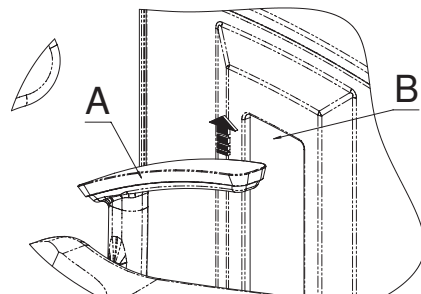


Fig. 18

## 9.- UNIT ERROR AUTOTEST

The microprocessor-controlled dental unit is fitted with a monitoring system for errors, which are shown on the display. These errors may just be warnings or alerts. All errors are number coded. It helps to learn these error codes as the monitoring system performs continuous tests on parts of the dental unit: safety features, instruments, communications and general power systems. Replacing the instrument showing the error removes the error message from the screen, though the error must still be resolved. There are also errors which, for reasons of safety or fault in the communication bus, block the dental unit entirely; in this case you should call technical services (please have this manual in front of you when calling).

## DISPLAY VIEW

ERROR	TYPE
1	No micromotor(electric), or circuit broken, instrument-position-1
2	No micromotor(electric), or circuit broken, instrument-position-2
3	No micromotor(electric), or circuit broken, instrument-position-3
4	Micromotor(electric) short-circuit or overload, instrument-position-1
5	Micromotor(electric) short-circuit or overload, instrument-position-2
6	Micromotor(electric) short-circuit or overload, instrument-position-3
7	Light bulb missing or blown, instrument-position-1
8	Light bulb missing or blown, instrument-position-2
9	Light bulb missing or blown, instrument-position-3
10	Light bulb missing or blown, instrument-position-4
11	Bulb short-circuit or overload, instrument-position-1
12	Bulb short-circuit or overload, instrument-position-2
13	Bulb short-circuit or overload, instrument-position-3
14	Bulb short-circuit or overload, instrument-position-4
15	Cannula support safety feature unactive. SYSTEM BLOCKED
16	Failed start-up test 1, source micromotor supply.
17	Failed start-up test 2, source micromotor supply.
18	Failed start-up test 1, source light power supply.
19	Failed start-up test 2, source light power supply.
20	Communications bus failure. SYSTEM BLOCKED
21	Pedal test failure, no response. SYSTEM BLOCKED.
22	Water unit test failure, no response .SYSTEM BLOCKED.
23	Circuit box failure, no response. SYSTEM BLOCKED
24	Electric centred pedal test failure. SYSTEM BLOCKED.
25	Water unit circuit board failure 9015043.
26	24Vca power supply failure or excess consumption.
27	Undervoltage in 24Vdc line.
28	Overvoltage in 24Vdc line
29	Pedal test failure, out of range, potentiometer incorrect.
30	Without communication between keyboard and instrument tray charts.
31	MX driver faulty, DMX module informs there is an error
32	Failure in communication with MX driver, we cannot communicate with DMX.
33	MX Driver configured as Standard, but the Basic model detected.

## 10.- SAFETY MOVEMENTS

- The dental chair includes mechanical safety stops for the chair and backrest, ensuring correct manoeuvring and positioning.
- Motor overload control through integrated heat sensors. Should the heat sensors go off, wait 15 minutes for them to cool.
- The backrest safety feature, in the event of pressure or knocks against other objects during manual or automatic lowering, suspends all chair movement (seat and backrest) before lifting it a few centimeters.
- The base safety feature, in the event of pressure or knocks against other objects during manual or automatic lowering, suspends all chair movement (seat and backrest) before lifting it a few centimeters.
- The cannula safety feature, in the event of any pressure against the arm, or knocking against other objects during manual or automatic lowering, suspends all chair movement (seat and backrest).
- The control pedal safety blocks all movements of the chair (seat and backrest) once the control lever is activated, allowing the user to work in the patient's oral cavity in complete safety. If the chair is moving, it can also be stopped by activating the pedal trigger ("B", fig. 5).
- The control pedal safety disables all automatic movements, preventing any inadvertent action due to the sensitivity of the three-way directional button.
- If the chair moves to a memorised location, pressing any key on the directional keypad (main and auxiliary) or the pedal will stop the unit.

## 11.- CLEANING AND STERILISING

When cleaning your dental unit, it is essential to use neutral products. Cleaning products with high chemical content can damage plastic parts or upholstery. When cleaning, take care not to wet the equipment too much, as its interior is made up of electrical components. Various specialists in the dental hygiene industry offer a wide range of cleaning products for achieving optimum results.

**Before being shipped, all ANCAR equipment is thoroughly cleaned using ECO-JET1 Cattani Magolia disinfectant spray.**

For cleaning and disinfecting the different parts of the system, please check:

- Section 8.6 "Cannula Support".
- Annex 2, "Cattani System and Suction".
- Annex 3, "VSA300 Suction System (Dürr Dental)".
- Annex 4, "Aspiration System TYP1 (Metasys)".
- Annex 5, "ECO Aspiration System (Metasys)".
- Annex 8, "Combi-Separator CAS1 (Dürr Dental)".
- Annex 11, "Hygiene System H1 (Metasys)".
- Annex 12, "Selective Cannula System S1 (Metasys)".
- Annex 13, "Minilight Syringe (Luzzani)".
- Annex 14, "Cleaning other parts of the unit"

### STERILISING AND AUTOCLAVE.



Hand instruments should be sterilised in an autoclave at a temperature of 135°C; it is however recommendable to follow the instructions of the instrument manufacturer.

Cannulas, the cannula-holder and tubes can also be sterilised. Check the section entitled "Cannula support".

We remind you that regular maintenance and proper use of the unit will prolong its working life.



## 12.- TECHNICAL DATA

Voltage	220-240 V~
Frequency	50 Hz
Air pressure	5.5 Bar
Water pressure	3 Bar
Power	900 W
Electrical protection type	I
Operation type	Intermittent
Maximum load (patient)	160 Kg.
Maximum load (instrument tray)	2 Kg.
Electric micromotor instrument	24V dc /65 W
MX micro-motor instrument	24V dc / 60 W (130 W peak)
Instrument light	Bulbs-LEDs 3-3.5v / 2.5 W
Ultrasound	24Vac / 35 W.
Polymer LED	24V ac / 150 W.
Syringe 6F (optional)	24Vac / 150 W.
Operator light (depending on model)	17Vac / range from 9 to 95 VA.
Operator light (light intensity)	Range from 3.000 to 50,000 lux
Operator light (cool beam)	140 x 70 to 180 x 90 cm
Unit standard 93/42/EEC	Class IIa
Insulation type	Type BF
Unit net/gross weight	240 Kg. / 290 Kg.
Dental unit type	Electronic
Installation type	Permanent
Main fuse	T 6.3A / L /250V
Movement Panel Fuse, 24V line	T 32 mA / L / 250V
Primary transformer fuse, 9015092 PCB	TT 2.5A / L / 250V
1st power line 24 V ac (ye / bl)	Polyswitch RUE400
2nd power line 24 V ac (bl / br)	Polyswitch RUE400 + RUE600
17 V ac (re / re) protection	Polyswitch RUE600+ RUE185
24 V ac auxiliary outputs	4 x water box
	3 x instrument tray
	1 x circuit box
Suction connection	500W / 230 V. Relais 20 A / 250 V
AUX contact connections chart free power	Max 250 V / 5 A
230 V ac auxiliary output	50 W
Main electro-valves	24 V dc

Upon request, the water unit can be supplied with gravity-drained or continuous suction systems, and with an amalgam separator option for wet- or dry-ring systems. See appendices to this manual for specific instructions for each manufacturer.

As the diagram 10 shows, when you open the door pressing the upper corner there is access to all elements of the vacuum area.

## ANNEX 1. CLEANING AND DISINFECTING OF CATTANI GLASS, CANNULAS AND BASIN



**Before opening the water cabinet door or removing the container, disconnect the unit from the electrical mains using the main switch. Use suitable protective gloves.**

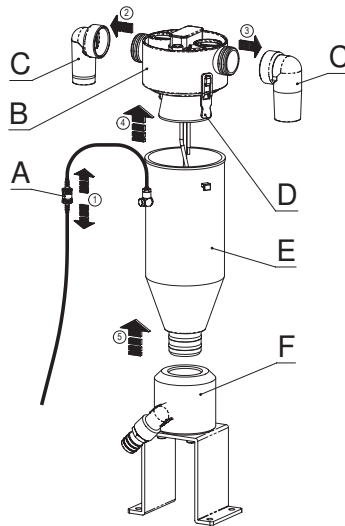


Fig. 19

### **Vessel, once at the end of each day.**

To remove (E), switch off (A) and pull out the two raccords (C) from suction tubes. To remove the cover (B), lift it slightly fixations (D) and pull up vessel (E) from the support (F). You may also clean it. Place again the vessel following the instructions in reverse. Use the Puli-Jet (Cattani) and water.

### **Cannula circuit, at lunch time and at night.**

Cleaning and disinfecting: Use Cattani Pulijet.

Concentration: 50cl per litre of water. Take in water through each cannula.

### **External cannula surfaces, after each treatment**

Disinfectant: Eco-Jet Cattani.

### **Rinse basin with water after each treatment.**

### **Cannula filter: foamless disinfectant**

Use anti-odour tablets for the cannula filter.



### **Caution**

**Do not clean with foam. Do not use sodium hypochlorite.**

## ANNEX 2. SPITTOON BASIN CUT-OFF VALVE AND ASPIRATION UNIT (CATTANI)



**Before opening the water cabinet door or removing the container, disconnect the unit from the electrical mains using the main switch.**

There is access to all elements of the vacuum area after opening the door.

The spittoon suction unit (A) requires a maintenance operation on the filter (C). You need to turn the part ("1") and then remove it ("2") to extract the solid particles.

To ensure the proper operation of the spittoon suction unit and the amalgam separator, the bowl rinse must be timed at around 20 seconds (as minimum).

The cut-off valve (B) works in the presence of air.

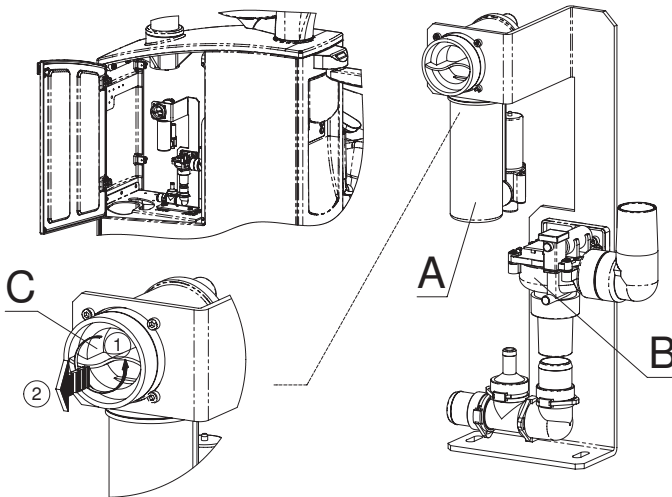


Fig. 20



### Caution

Be aware of the biological danger of infection with epidemic diseases.

Before doing anything with used utensils and equipment, deep-clean them using disinfectant.

To carry out any maintenance operation, use gloves, goggles and a disposable mask.

Aspirated liquid is likely to be contaminated and represents a contamination risk in terms of infectious diseases. In addition, the equipment used for work could be under pressure, which increases the risk of contaminated splashing.

## ANNEX 3. VSA300 SUCTION SYSTEM (DÜRR DENTAL). MAINTENANCE OF THE SUCTION SYSTEM TOGETHER WITH THE SPITTOON VALVE



**Before opening the water cabinet door or removing the container, disconnect the unit from the electrical mains using the main switch. Use suitable protective gloves.**

The drainage/suction unit (A) has a filter (C) that requires maintenance. As the figure shows, turn the part ("1") and then pull it ("2") gently towards you before lifting.

Inside, it has a control box with a reset button (D).

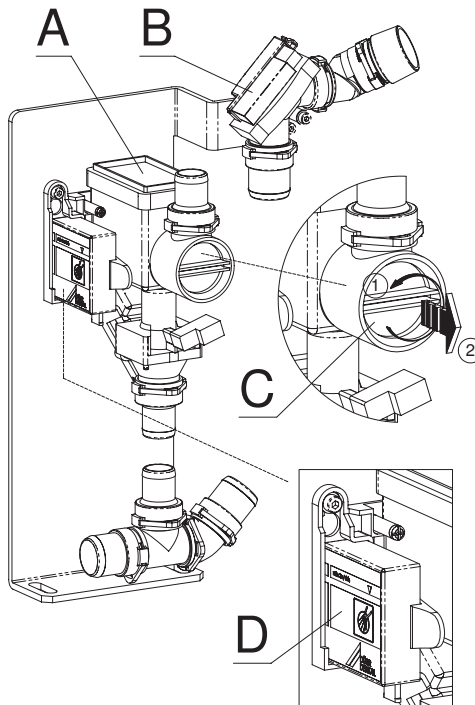


Fig. 21

The cut-off valve (B) works in the presence of air.

Check the manufacturer's original instruction manual accompanying the documents supplied with the dental unit to find out how it works or if in any doubt before carrying out maintenance, cleaning or disinfection.

Always use cleaning and disinfecting products recommended by the manufacturer.

## ANNEX 4. ASPIRATION SYSTEM TYP1 (METASYST)



**Before opening the water cabinet door or removing the container, disconnect the unit from the electrical mains using the main switch.**

The filter (A) requires maintenance: turn the part ("2.1") and then remove it ("2.2").

To access the separation and sedimentation element (C) you need to turn the ("1.1") sealing flange (B) upwards and remove it, pulling it forwards ("1.2").

The control keyboard is accessible to the outside opening the side door of the water cabinet.

Monitoring LED (E): ready for use. Green light on: there is a network connection.

Monitoring LED (F): centrifuge fault. Flashing red light: fault! Turn off the main switch and turn it on again after a brief pause.

Monitoring LED (G): indicating the container filling level (C). Yellow light shining with buzzer sounding which can be stopped using the reset key (H). Warning that the container is 95% full. You are advised to change the container.

When the light (G) stays yellow and the buzzer cannot be turned off, this indicates that the collection container is 100% full and the container needs to be changed. You cannot carry on working. The aspiration valve is locked.

Alarm reset key (H).

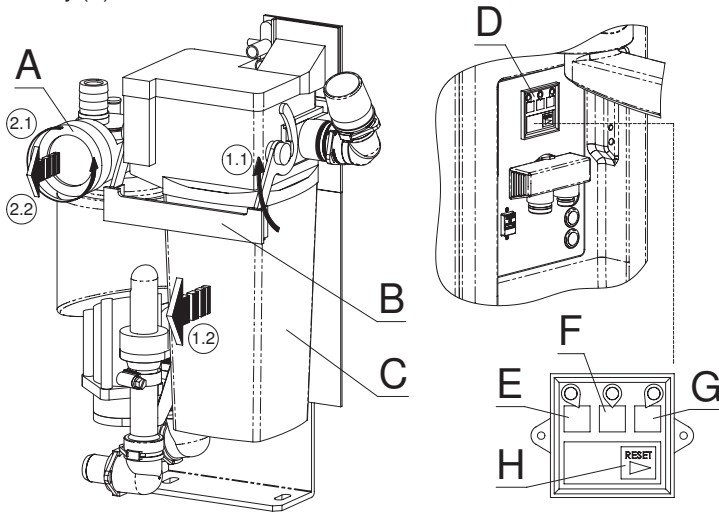


Fig. 22

Check the manufacturer's original instruction manual accompanying the documents supplied with the dental unit to find out how it works or if in any doubt before carrying out maintenance, cleaning or disinfection. Always use cleaning and disinfecting products recommended by the manufacturer.



**Removing the full container:**

**Wear protective gloves. Avoid contact with the content of the container. For technical and hygiene reasons, the collection container is designed to be disposable.**

## ANNEX 5. ECO ASPIRATION SYSTEM (METASYS)



**Before opening the water cabinet door or removing the container, disconnect the unit from the electrical mains using the main switch.**

This is a single-chamber automatic air/water separator with integrated heavy particle collector. To access the separation and sedimentation element (B) you need to turn ("1") the sealing flange (A) up and pull it forwards and out ("2").

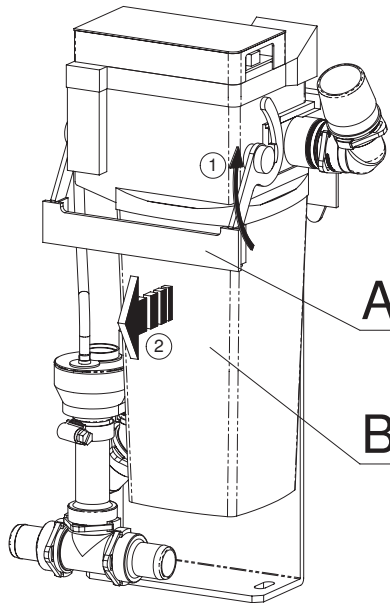


Fig. 23

Check the manufacturer's original instruction manual accompanying the documents supplied with the dental unit to find out how it works or if in any doubt before carrying out maintenance, cleaning or disinfection. Always use cleaning and disinfecting products recommended by the manufacturer.



**Removing the full container:**

**Wear protective gloves. Avoid contact with the content of the container. For technical and hygiene reasons, the collection container is designed to be disposable.**

## ANNEX 6. IGN - CALBENIUM DECONTAMINATION SYSTEM (AIREL)

The elements are inside the water cabinet (A). First you need to remove ("1.1") the tank (B). The buzzer battery (C) forms part of the tank block. Then unscrew ("1.2") to pour out the CALBENIUM solution. To refill the Bacset II Kit (E) with COCCIBROM you will need to deset it ("2.1") and then take it out through the bottom ("2.2"). The battery (G) is used for ionisation.

### MAINTENANCE PROTOCOL

*Purge* the unit's tubes every day for 1 minute, every morning and at the end of the day.

*You need* to clean the unit's circuits and the tubes to the instruments once a fortnight with a COCCIBROM solution, alternating with the continued use of CALBENIUM.

The ionization battery (G) must be replaced once a year.

### PROTOCOL FOR THE IGN SYSTEMS USING BACSET II

- Pull the BACSET II handle (D) right out.
- Remove the instruments.
- Fully open the tap on each hose.
- Pull the hoses and place them in a container holding at least 1.5 litres.
- Purge each hose until the water comes out pink.
- Activate the CALBEPULS.
- Activate the syringe for 5 seconds.
- Leave the COCCIBROM solution in contact with the dental unit for 30 minutes.
- After half an hour, empty and replace the container.
- Purge with CALBENIUM solution until the water comes out transparent in each strand, check that the handle is back in.
- Repeat the protocol every 15 days.

Color of mixing deposit (F) liquid accordingly protocol will be rose first, and then become transparent.

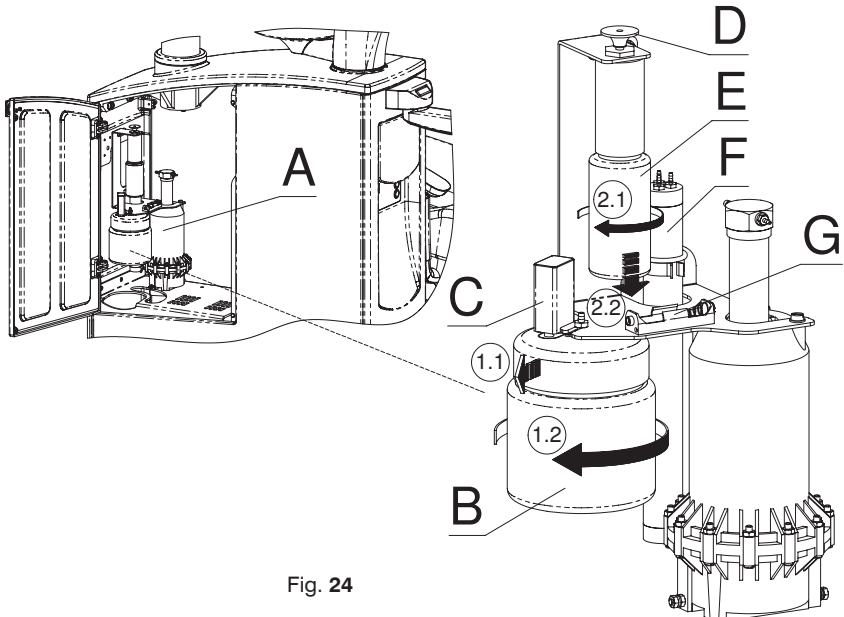


Fig. 24



### Important recommendations.

- Never work if the BACSET II handle is up.
- Never leave the COCCIBROM solution in contact with the unit for more than an hour.
- Never dilute the concentrated COCCIBROM or CALBENIUM before use.
- Never work until you have made sure there is no COCCIBROM in the sprays.

## ANNEX 7. SELF WATER SYSTEM KIT

Access to the bottle (with capacity for 1 liter) is via the inside of the water unit.

It is an independent running water system; the air regulator is normally found sealed.

To refill with water, you need to unscrew ("1") the bottle (A) and take it out through the bottom ("2"). Internally there is a safety pressure switch so it activates automatically.

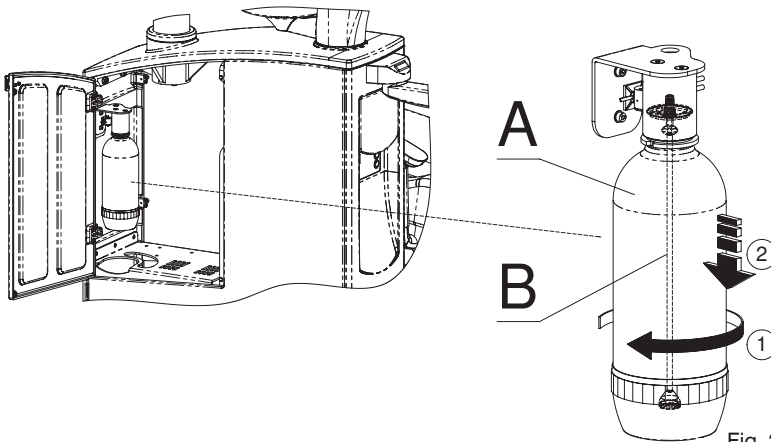


Fig. 25

Please remove bottle (A) gently and take care about internal tube (B).



### Important recommendations.

If you are not going to use the Self Water System for a long time – weekends, holidays, etc. – for ventilation you are recommended to purge the instrument liquid lines and the syringe. This will help to prevent any stagnation of liquids in the water lines.



## ANNEX 8. COMBI-SEPARATOR CAS 1 (DÜRR DENTAL)

The control panel is placed internally (A).

You are recommended to clean the tank (B). To remove it, unscrew ("1"), but before taking it out ("2") be careful with the part that measures the level of the amalgam element content and sticks out at the bottom.

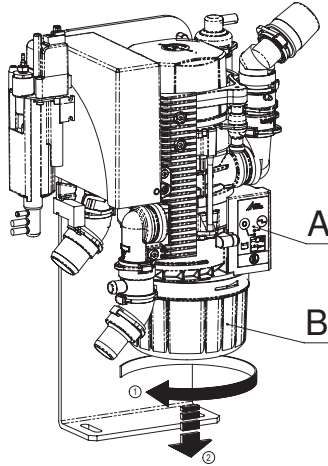


Fig. 26

## ANNEX 9. COMBI-SEPAMATIC CS 1 (DÜRR DENTAL)

System designed to be used in dry aspiration systems. It does not hold any elements. All aspirated liquid passes through an integrated pump that delivers it to the drain.

The pump unit (A) is powered by the aspiration effect of the compressor which is activated when the cannula is pulled. This opens the cut-off valve (B). The rinsing unit (C) provides the suction unit with a permanent supply of fresh water during suction, assuring device will not operate in dry conditions.

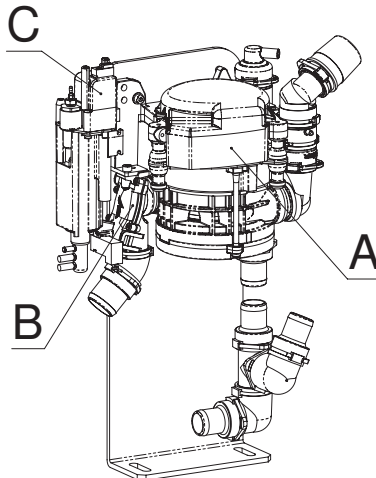


Fig. 27

## ANNEX 10. WATER DECONTAMINATION: WEK (METASYS)

Within mixing system you will find the product bag (B); here, the arrival of the water is designed in accordance with a free-fall flow distance, thanks to which the separation between the WEK system and the water supply network established by the DVGW is guaranteed. It is impossible for undecontaminated water or water containing chemical products to flow back into the supply.

The control unit (C) can be accessed from the outside. Pilot light D: ready to work (green), E: malfunction (red), F: disinfection indicator (yellow). Alarm reset key (Alarm - Reset) G.

### CHANGING THE GREEN&CLEAN WEK CONTAINER BAG

Once the content has been emptied, the green and yellow pilot lights come on and the sound signal stops. If the bag cannot be replaced immediately, it will be necessary to press the RESET key to deactivate the continuous signal. The doctor's daily work will not be interrupted. In all cases a brief sound signal will continue periodically as a warning. Remove the bag by ("1") pulling the fixed fastening gently. With this, removing the tap (A) upwards ("2"), the tube which is attached to it, goes out the bag. And all this removable part (tap and tube) is reused together with the new bag.

After removing the screw seal of the new chemical product bag, the tube must be put inside and the seal pressed into place underneath.

The tank bag must be installed in the equipment immediately, taking care to fix the tube on to the connection for the chemical product.

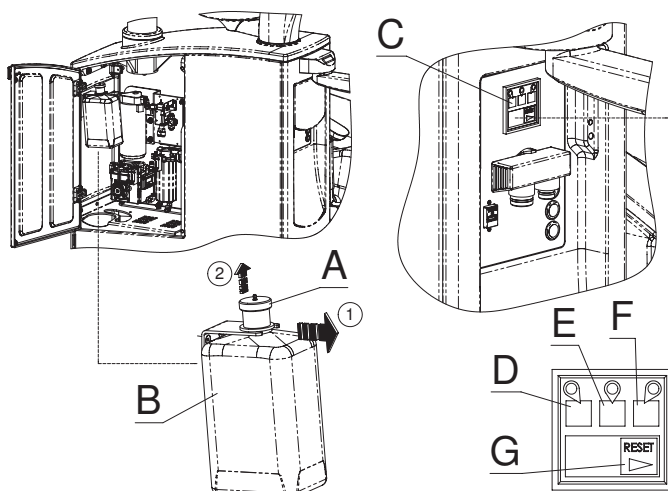


Fig. 28

### SUPPLEMENTARY PROGRAMS

**Automatic emptying:** To empty the equipment while in use you need to press the RESET key (G) for 8 seconds (the pilot LED D flashes) until you hear the second beep. The pilot light D will flash slowly. The stock reserves and pressurised tanks will be empty when no water comes out of the instrument and/or the mouth rinse filler. The WEK system can be stopped or started again for working normally while by pressing the RESET key for 8 seconds (G).

**Intensive decontamination:** To increase the concentration of chemical product, all you need to do is press the reset key for 4 seconds (pilot LED D flashes) until the first beep. During this process, pilot light D is on and pilot light F flashes. After intensive decontamination, the pilot light F goes off and a brief vibrating signal remains – the WEK system is once again available for normal working.

## ANNEX 11. HYGIENE SYSTEM H1 (METASYS)



**Do not use additional cleaning or disinfection products for the aspiration installation in treatment areas where an H1 hygiene system has been set up as there is a risk of negative chemical interactions resulting from the combination of different chemical products.**

### CONTROL KEYBOARD

The control keyboard (B) is accessible opening the side door of the water cabinet.

Pilot light (C): malfunction. Red flashing light and repeated bleep up to five times for each time the aspiration tubes go up. Hygiene system out of service but aspiration available: contact a technician.

Pilot light (D): empty tank message. Yellow light and single bleep every time the aspiration tubes go up: replace the cartridge G.

Pilot light (E): program functioning. When it is green: ready for working. Green light flashing slowly: first wash program operating. Green light flashing quickly: special wash program operating.

Key for turning on the special washing program (F): Activated by pressing the “Push” key.

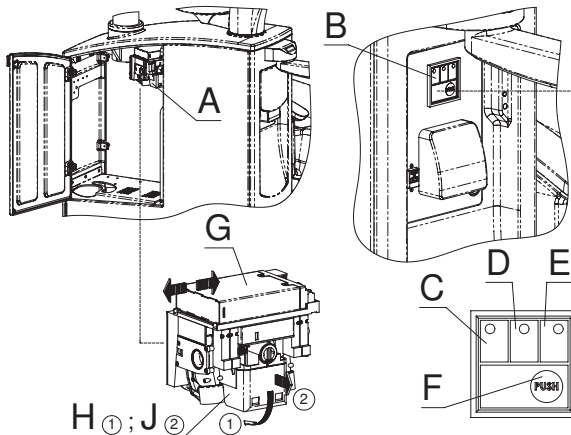


Fig. 29

### MAINTENANCE

**Daily washing of the filter grid:** Pull the container clip (H) down (“1”). Remove (“2”) the filter container (J) horizontally. Move the filter grid upwards (the filter must be replaced acting in reverse order).

Tip the amalgam residue into the container provided for the purpose.

We advise replacing the filter grid every 2 to 3 months.

If aspiration power is reduced, check whether the filter grid has been perforated.

After sterilising, do not forget to grease the joints with Vaseline!

**Replacing the cartridge (G):** Replace when the yellow pilot light (D) is flashing on the control panel and you hear the beep, because that means the tank is empty.

Turn off the unit’s main switch. All you need to do is press on the back of the cartridge to open the catch and put the cartridge in position for changing. You can then remove the cartridge from the unit.

## AUTOMATIC CLEANING PROGRAM

### First Wash

Duration: approximately 2 minutes. The pilot light **E** flashes slowly.

Switching on: every time you press the treatment unit's main switch.

Function: Preparation for subsequent treatments based on higher disinfectant dosage.

### Permanent Wash Cycle

The pilot light **E** is permanently on.

Duration: from when the aspiration tube(s) go up to when they go back into position.

Switching on: At least one aspiration tube is up.

Function: Prevent the formation of deposits by washing, disinfecting and foaming the aspiration system, periodically dosing it with chemical products.

### Special Washing Program

The pilot light **E** flashes quickly. Duration: approximately 5 minutes.

Switching on: pressing the "Special washing program" key.

Function: if necessary, painstakingly clean and disinfect the aspiration system after prolonged aspiration use. We recommend using the program at least once a day and after prolonged use of aspiration.

## ANNEX 12. SELECTIVE CANNULA SYSTEM S1 (METASYS)



Please always wear protective gloves while working.

### MAINTENANCE: Daily washing of the filter grid

Turn the container clip **B** down ("1"). Remove ("2") the filter container (**C**) horizontally.

Pull the filter grid up (the filter must be replaced acting in reverse order). Place the amalgam residue in the container provided for the purpose. We advise you to replace the filter grid with a frequency of between 2 and 3 months.

If aspiration power is reduced, check whether the filter grid is broken.

After sterilising, do not forget to grease the joints with Vaseline!

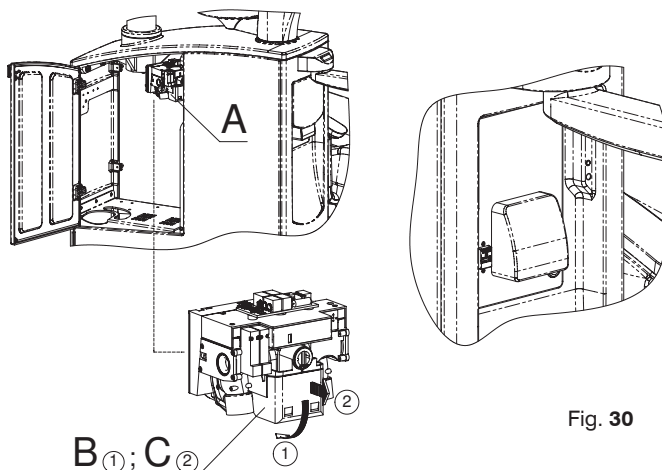


Fig. 30

## ANNEX 13. MINILIGHT SYRINGE (LUZZANI)

### GENERAL

The Minilight syringe is an instrument designed exclusively for dental use, its function being to introduce air and water (individually or simultaneously, at either room or body temperature) into the area of operation to keep it continuously clean and dry.

### GENERAL CHARACTERISTICS

The Minilight syringe has been designed using state of the art ergonomics to facilitate use and to allow rapid cleaning and sterilisation. Both the tip and the outer grip are easily removable, allowing the instrument to be completely disinfected and sterilised in the autoclave at 135°C. Grips are available in different shapes and colours according to the dentist's preferences: straight or L-shaped. Furthermore, the air and water may be heated to body temperature to avoid patient irritation from using colder room temperature air or water.

### MODELS

The models differ according to the number of features available:

- 3F cold water/air spray
- 5F cold water/hot and cold air/hot and cold spray
- 6F hot and cold water/air/spray
- Air or water only
- L with Light

The Minilight syringe version is shown above. The handles can be interchanged on all versions: technopolymer curve or straight stainless steel.

### CE MARKING

All products carry CE marking.

### PRODUCT BATCH

Each product can be traced by a serial number located on the bottom, which identifies the exact batch of production. This number can be used to find out the date of manufacture, in relation to the control panel.

### GUARANTEE

The product is guaranteed by our company for 12 months after delivery. Any unauthorised modification or handling will automatically void the guarantee. The company therefore accepts no responsibility for damages to people, animals or other objects due to misuse of the equipment. For any disputes, the competent authority is the Milan tribunal in Italy.

### TECHNICAL FEATURES

Type B, insulation class II, intermittent function: 10 seconds ON, 20 seconds OFF.

ITEM		6F	5F	3F
SUPPLY VOLTAGE	VCA	24	24	***
CURRENT CONSUMPTION	A	4.3	0.7	***
MAX. ELECTRIC. POWER	W	103	0.7	***
MAX. WATER PRESSURE	BAR	2.5	2.5	2.5
MAX. AIR PRESSURE	BAR	4.5	4.5	4.5
MAX. AIR CAPACITY	NI/min	10	10	10
MAX. WATER CAPACITY	Cc/min	110	110	110

## INSTALLATION

The unit may only be connected by an Antoni Carles-authorized technician.

## NORMAL USE

- To introduce cold water into the area of operation, press the left button on the handle.
- To introduce cold air into the area of operation, press the right button on the handle.
- To introduce a cold air and water spray, press both buttons on the handle simultaneously.
- To introduce warm water into the area of operation, turn the switch on the base of the handle to the right (the green indicator will light up) and press the left button on the handle (only on models 6F and L).
- To introduce warm air into the area of operation, turn the switch on the base of the handle to the right and press the right button on the handle (only on models 6F and L).
- To introduce warm a water and air spray into the area of operation, turn the switch on the base of the handle to the right and press the two buttons on the handle simultaneously (only on models 5F, 6F and L).

**Note:** The switch is used to select between warm and cold functions. The water or air is heated instantaneously upon use. For this reason, the handle can be left constantly in the “on” position without causing any problems or danger.

## CLEANING OR DISINFECTING



After each intervention and to maximise hygiene standards, the syringe can be cleaned and sterilised. This is done through the following phases:

- Remove the tip (unscrewing it at the mouth) and/or the complete handle (pressing the button on the handle bottom upwards).
- Clean with a cloth, removing any stains or dirt.
- Place in the autoclave with the steam set at 135°C for 20 minutes.

## MAINTENANCE

The unit requires no specific maintenance, except for the regular cleaning and sterilisation described above. Avoid all kinds of lubrication, since this can cause irreparable damage to the syringe.

## SURFACES AND COMPONENTS

The product contains no dangerous, toxic or harmful components, nor does it come into contact with any such products during manufacture.

## ANNEX 14. CLEANING AND DISINFECTING OTHER PARTS OF THE UNIT. OTHER SAFETY NOTES: UNIT, LAMP, ELECTRICAL SYSTEM

### Cleaning and disinfecting



**Always disconnect the unit from the mains before carrying out any procedures.**  
**Do not wet or flood the unit with water.**  
**Do not use domestic detergents or disinfecting foams.**

### Cleaning upholstered areas

Clean periodically with a soapy solution.

### Cleaning polyurethane areas (unit base cover, upholstery support, lifting mechanism covers)

Polyurethane areas must be cleaned using a cloth soaked in soapy water.

It is recommended to avoid using concentrates, detergents and strong abrasives to remove difficult stains.

Clean regularly.

### Cleaning and disinfecting exterior metal parts (excluding instruments)

Use any product with an antimicrobial, fungicidal, sporicidal or virucidal action that is compatible with the medical industry.

### Cleaning and Disinfecting the Column Arm and Light

Spray disinfectant. Do not spray on hot surfaces.



**To disinfect the dental light, wait for the head to cool.**

Regularly disinfect these parts using a disinfectant with at least an antimicrobial and fungicidal action.

To clean the light, head and handles, use a damp cloth. Clean reflective surfaces using a dry cloth.



**Check manufacturer instructions.**

### Cleaning and disinfecting the Basin/Spittoon.

Use disinfectants recommended by Cattani or Metasys. See appendices I and II.

### Cleaning and disinfecting the water unit

Regular cleaning and disinfecting: use antimicrobial, fungicidal, virucidal and sporicidal disinfectant.

### Cleaning and disinfecting the instrument tray, auxiliary tray and hoses.

Cleaning and disinfecting: clean after each treatment using antimicrobial, fungicidal, virucidal and sporicidal disinfectant.

**ANCAR recommends the use of the BODE X-WIPES reloadable wet wipe dispenser for professional washing and disinfection. Suitable for all BODE surface disinfectants at concentrations that take effect within 1 hour.**

## ANNEX 15. SAFETY NOTES

### GENERAL PRECAUTIONS

Read all necessary manuals. Keep all manuals – dental unit, chair, instruments, light and additional kits – in a safe place for future reference.

Before starting up the unit, read all appendices in this manual.

Upon first start-up: carry out a thorough clean of the water channels by passing a solution of water and disinfectant through all water pipes connected to the instruments and water unit.

Disconnect the unit from the mains, turning off the general power switch at the end of each working day.

If the unit is to be left unused for a long period of time, close the main water and air taps and disconnect the unit from the electrical supply.

If the unit is assembled with an amalgam separator system, please do not dispose of the contents of the collection tank once it is full, nor empty the tank into the drain to reuse it. Contact the separation system manufacturer's office or consult our Sales Dept. See appendix II.

Do not replace fuses yourself. Contact Antoni Carles, S.A. authorised technicians via our Sales Dept.

Hire an authorised maintenance service. This will give you greater safety and prolong the life of the unit. Consult our Sales Dept.

Regularly check for water or air leaks in the dental unit circuit box, and make sure the area is kept clean and free from humidity, rust or electrolysis.

Do not use the unit to support or hold furniture or other materials. Do not stand on the water unit. Do not sit on the water unit support. Do not hang on the light. The unit should only be used by qualified personnel.

### DENTAL LAMP SAFETY MEASURES

Move the light using the handles only. Do not move it by the lamp head.

Do not mark the protective screen.

Check regularly that the built-in fan is working correctly. If damaged, it may harm the bulb due to a temperature increase.

Do not force the regulator rotation past its minimum and maximum power levels.

### REPLACING THE BULB

Disconnect the unit from the power supply using the general power switch.

Wait 30 minutes for the bulb to cool.

Remove the bulb following the manufacturer instructions. Do not touch the new bulb with your hands. Use a cotton cloth.

Use special containers to dispose of the old bulb. Consult your local authorities for means of disposal.



## ELECTRICAL SAFETY MEASURES

It is advisable not to use mobile phones in proximity of the dental unit. Observe regular hospital standards.

In the event of a light overload, the built-in thermal protection in the 17VCA line may have suspended operation of the unit. Wait 15 minutes for it to reset. Should the problem persist, call the authorised technical service line.

In the event of an overload in the instrument line and water unit, the built-in thermal protection in the 24VCA line may have suspended operation of the unit. Wait 15 minutes for it to reset. Should the problem persist, call the authorised technical service line.

In the event of an overload in the chair, the thermal protection built into one of the motors may have been triggered and suspended all operations. Wait 15 minutes for it to reset. Should the problem persist, call the authorised technical service line.

Do not add additional multiple intake bases or extensions to auxiliary intakes available on electronic charts.

## NOTES ON ELECTROMAGNETIC INTERFERENCE

Electronically-controlled instruments may harm patients fitted with pacemakers and/or hearing aids due to possible electromagnetic interferences.

The patient may be at risk from the approximate use of electronic scalpels or other electric/electronic equipment which may generate electromagnetic or other types of interference, causing the unit to malfunction. It is advisable to switch off the unit at the mains before using such equipment.

Risk of interference with other separate equipment (such as an implant motor) Disconnect the dental unit power supply to prevent any movements indirectly caused through faults and/or through accidental activation of the controls.

This device meets EMC standard (EN 60601-1-2:2007 + AC:2010)

- a) this medical electrical device requires special precautions regarding EMC standard and should have to be installed and set up accordingly EMC info included in enclosed documents.
- b) Portable and mobile RF communication equipment (e.g., cell phones) could affect medical devices.
- c) Accessories usage, transducers, wires others than specified or supplied by manufacturer as replacement parts may result in increased emissions or decreased immunity of this device.
- d) This device should not have to be used close to other equipment. If necessary this proximity, then it must have to be checked that system to verify final configuration operates correctly.

### *Electromagnetic emissions*

Essay	Level	Remarks
Radio frequency radiated (30-1000 MHz) Continuous conducted (0.15-30 MHz)	Class B	Matches with domestic locations requirements with respect close equipment.
Discontinuous conducted	Conforms	Low emissions, so it is suitable for use in all establishments, including domestic ones. It is not probable could provoke any disturbance with close electronic devices.
Voltage fluctuations		
Harmonic current		

Separation of distance recommended in between portable radiofrequency communications devices and cell phones and dental unit.

Dental unit is designed to be used in an electromagnetic environment whereas radiofrequency disturbances are controlled. User of dental unit could avoid EMC interferences keeping a minimum distance with transmitter devices as recommended, depending on maximum output.

Maximum output nominal value of transmitter in watts	Separation distance depending on transmitter frequency in meters		
	150kHz – 80 Mhz	80 Mhz – 800 MHz	800 Mhz – 2.5 GHz
0.01	0.12	0.12	0.23
0.1	0.38	0.38	0.73
1	1.2	1.2	2.3
10	3.8	3.8	7.3
100	12	12	23

These indications could not be of application as electromagnetic propagation could be affected by absorption and reflection from structures, objects and people.

### *Electromagnetic immunity*

Essay	Levels	Remarks
Electrostatic discharge	Air discharge: 2, 4, 8 kV Contact discharge: 2, 4, 6 kV	Better behavior with wood or ceramic tiles. If synthetic material, humidity > 30%
Fast transients in burst immunity	2 kV I/O ports	Mains power quality should be that of a typical commercial or hospital conditions.
Surge transients	Common mode 0.5, 1, 2 kV Differential mode 0.5, 1 kV	
Low frequency magnetic field immunity	3 A/m	Power frequency magnetic fields should be at levels characteristic of a typical location.
Current injections	3V rms (150 kHz – 80 Mhz) 3 V/m (80MHz – 2.5 GHz) Signal and control ports & AC / DC supply, access by ground terminal	Separation recommended 1.2 √P (up to 800MHz) 2.3 √P (from 800MHz) P is the maximum output power rating of the transmitter
Voltage variations	Short interruptions and voltage dips	If user requires continuous operation while interruptions in mains power supply, it is recommended to get a non-interruption electrical alimentation.

### **NOTES ON INFLAMMABLE ANAESTHETIC MIXTURES**

Do not use the unit/chair in proximity of mixtures of flammable anaesthetic gas with oxygen or nitrogen protoxide.







# Ancar

DENTAL  
INTELLIGENCE  
*with heart*



QS4 615 v.1  
July 2014

0434

Subject to design and/or specification changes  
without prior warning. Made in Europe.

**Antoni Carles, S.A.**  
Volta dels Garrofers, 41-42 Polígono Industrial "Els Garrofers"  
08340 Vilassar de Mar (Barcelona-SPAIN)  
Tel. (34) 93 754 07 97 Fax (34) 93 759 26 04  
[www.ancar-online.com](http://www.ancar-online.com) / e-mail: [ancar@ancar-online.com](mailto:ancar@ancar-online.com)